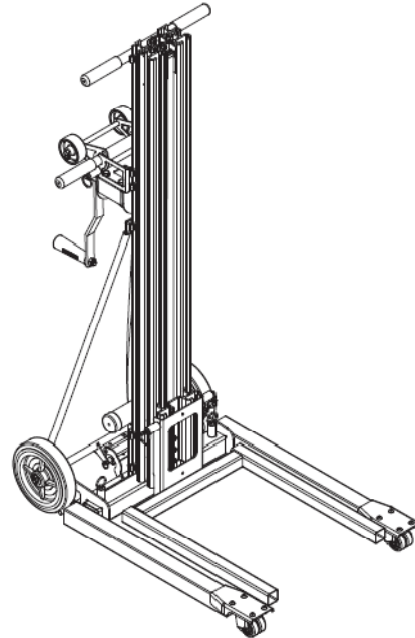
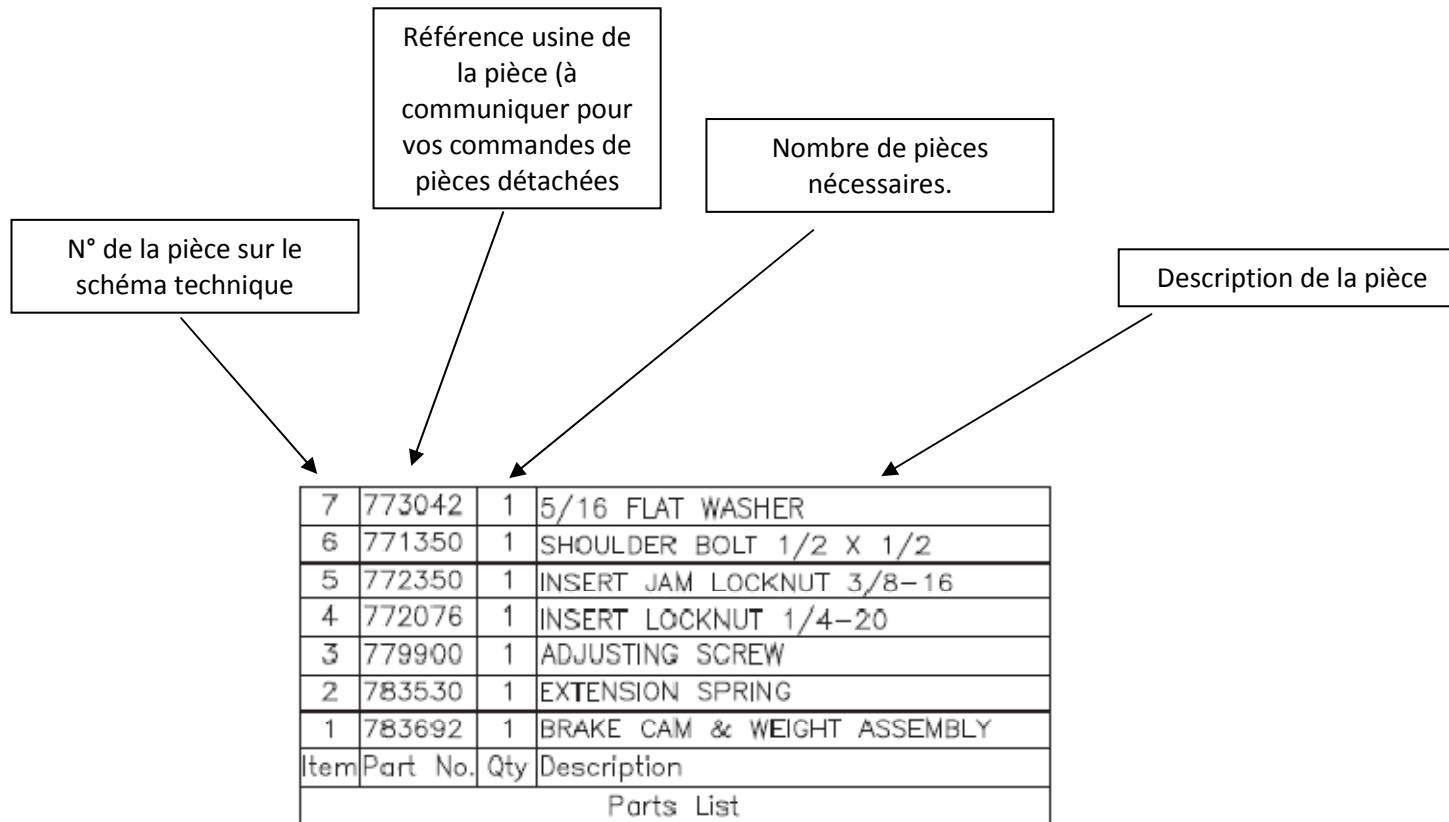

Manuel des Pièces Détachées

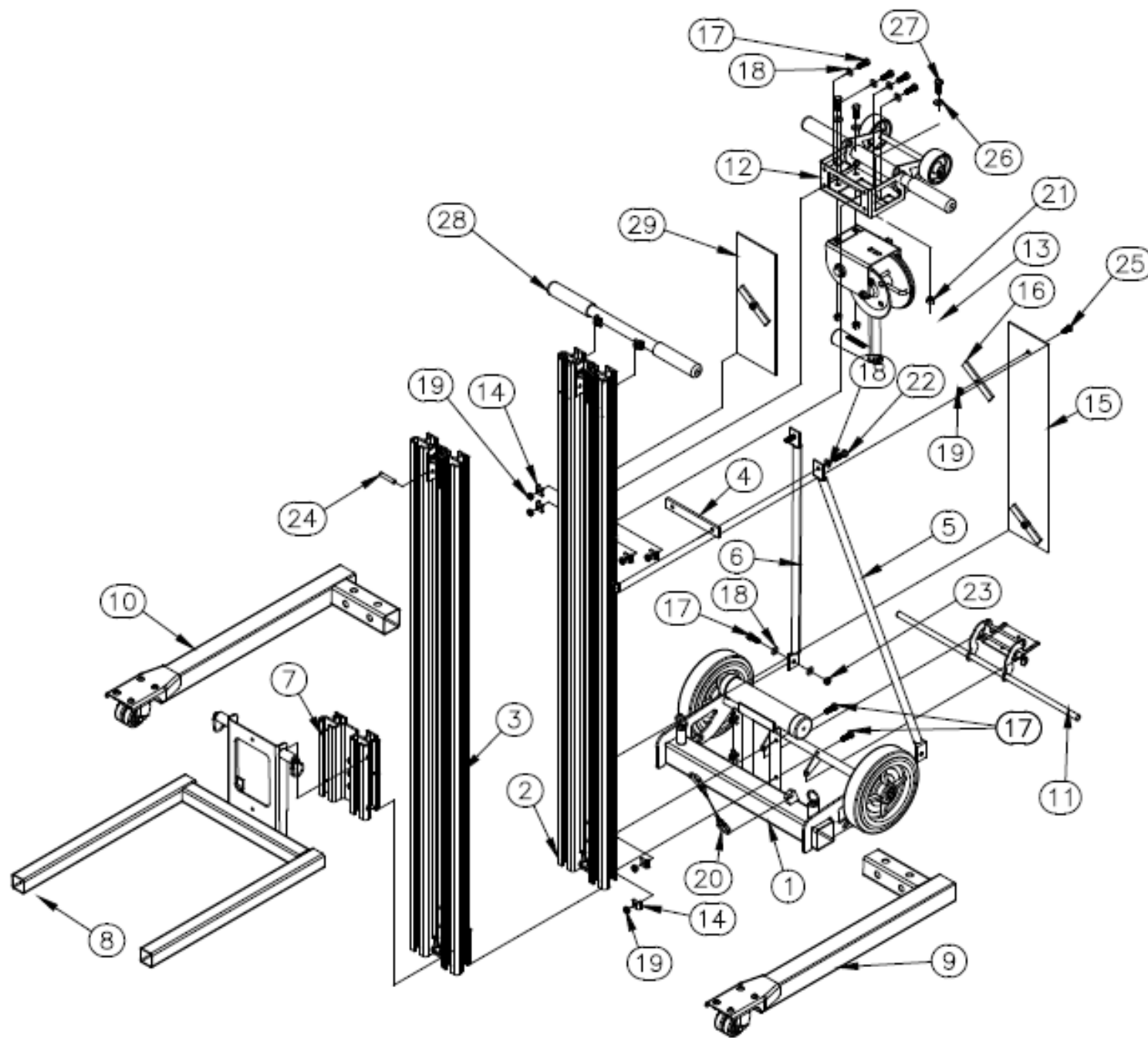
Charriot Élévateur Série S160 - S200 – S270 – S335



VIF EQUIPMENT

LEGENDE



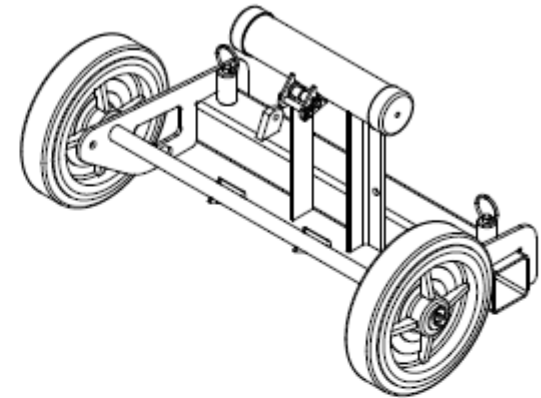
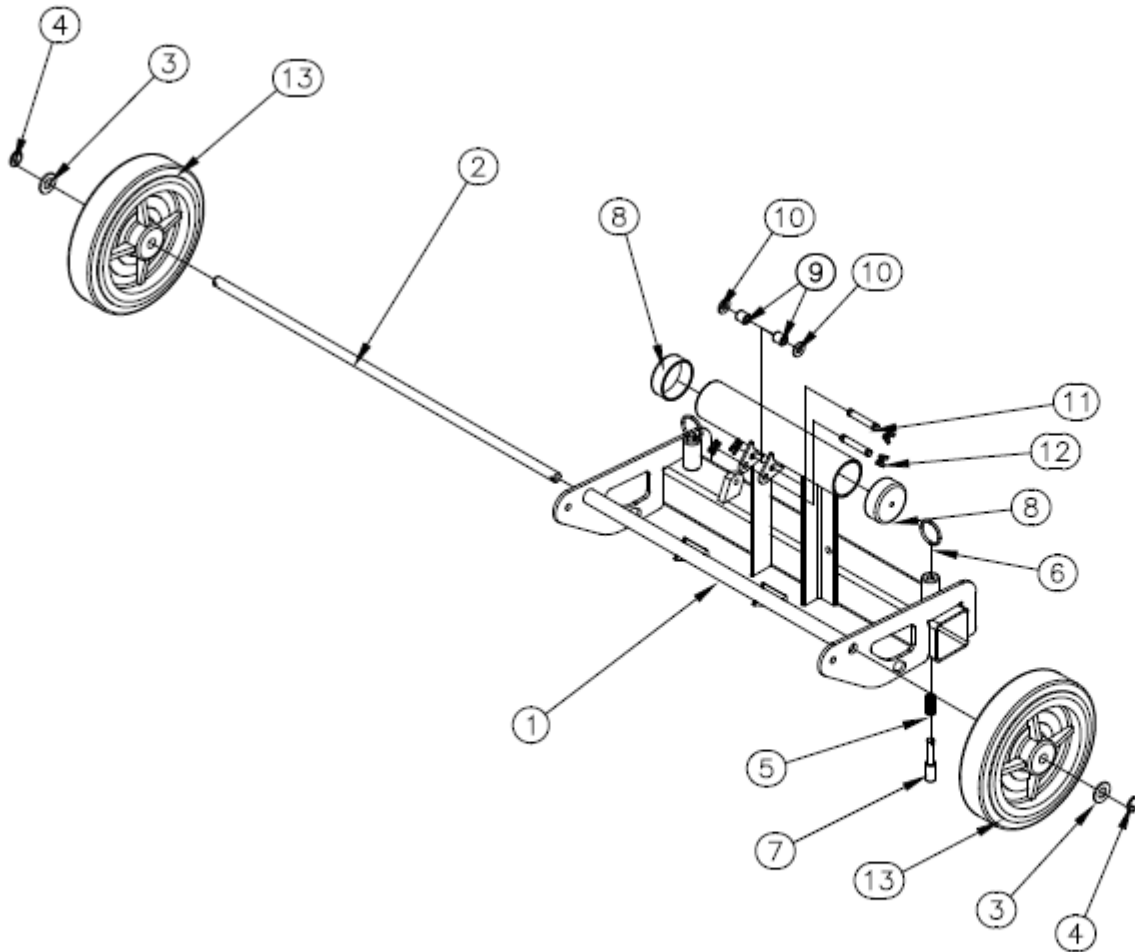


31	784240	1	FORK TRAY (NOT SHOWN)	
30	*	1	SLING (NOT SHOWN)	*
29	*	1	MAST COVER (UPPER)	*
28	*	1	HANDLE ASSEMBLY	*
27	771107	3	HHCS 3/8-16 x 1	
26	773040	3	3/8 FLAT WASHER	
25	771239	3	BHCS 5/16-18 x 3/4	
24	774117	1	5/16 DOWEL PIN	
23	772351	2	5/16-18 INSERT LOCK NUT	
22	771053	2	HHCS 5/16-18 x 1-1/4	
21	772355	3	3/8-16 INSERT LOCK NUT	
20	784309	1	MAST HOLD DOWN ASSEMBLY	
19	772502	13	5/16-18 INSERT LOCK NUT	
18	773042	10	5/16 FLAT WASHER	
17	771052	10	HHCS 5/16-18 x 1	
16	784283	3	MAST COVER STRAP	
15	784305	1	MAST COVER (LOWER)	
14	779230	10	CLAMP	
13	784290	1	WINCH ASSEMBLY	
12	784291	1	WINCH MOUNT ASSEMBLY	
11	784218	1	(OPTIONAL) BRAKE ASSEMBLY	
10	784268	1	RIGHT LEG ASSEMBLY	
9	784269	1	LEFT LEG ASSEMBLY	
8	784250	1	FORK ASSEMBLY	
7	784277	1	CARRIAGE ASSEMBLY	
6	784252	1	MAST BRACE (RIGHT)	
5	784251	1	MAST BRACE (LEFT)	
4	784260	1	BACK BRACE STRAP	
3	*	1	TOP MAST ASSEMBLY	*
2	*	1	BOTTOM MAST ASSEMBLY	*
1	784220	1	BASE ASSEMBLY	
Item	Part No.	Qty	Description	
Parts List				

*SEE APPLICATION CHART

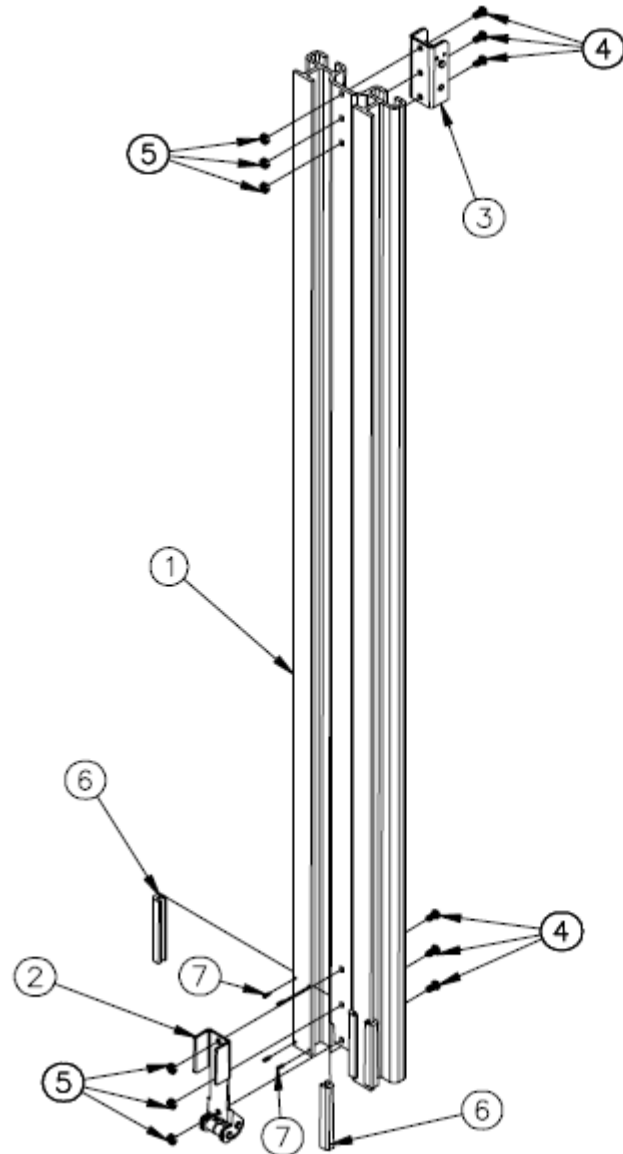
APPLICATION CHART				
ITEM	MODEL S160	MODEL S200	MODEL S270	MODEL S335
2	784264	784265	784275	784267
3	N/A	784266	784276	784300
28	784282	N/A	784282	N/A
29	784307	N/A	784307	784305
30	779243 18ft	779242 21ft	779241 27ft	779240 32ft

784220 – BASE



13	779031	2	8" GRAY WHEEL
12	776084	4	RETAINING RING
11	784273	2	GROOVED PIN
10	773015	2	5/16 BRASS WASHER
9	775065	2	BEARING
8	779905	2	TUBE CAP
7	782510	2	PLUNGER
6	775110	2	SPLIT RING 1-1/4"
5	776212	2	SPRING
4	774053	2	.75" RING COTTER
3	773094	2	1/2" FLAT WASHER
2	784221	1	AXLE
1	784206	1	BASE WELDMENT
Item	Part No.	Qty	Description
Parts List			

COMPOSITION DU MÂT HAUT

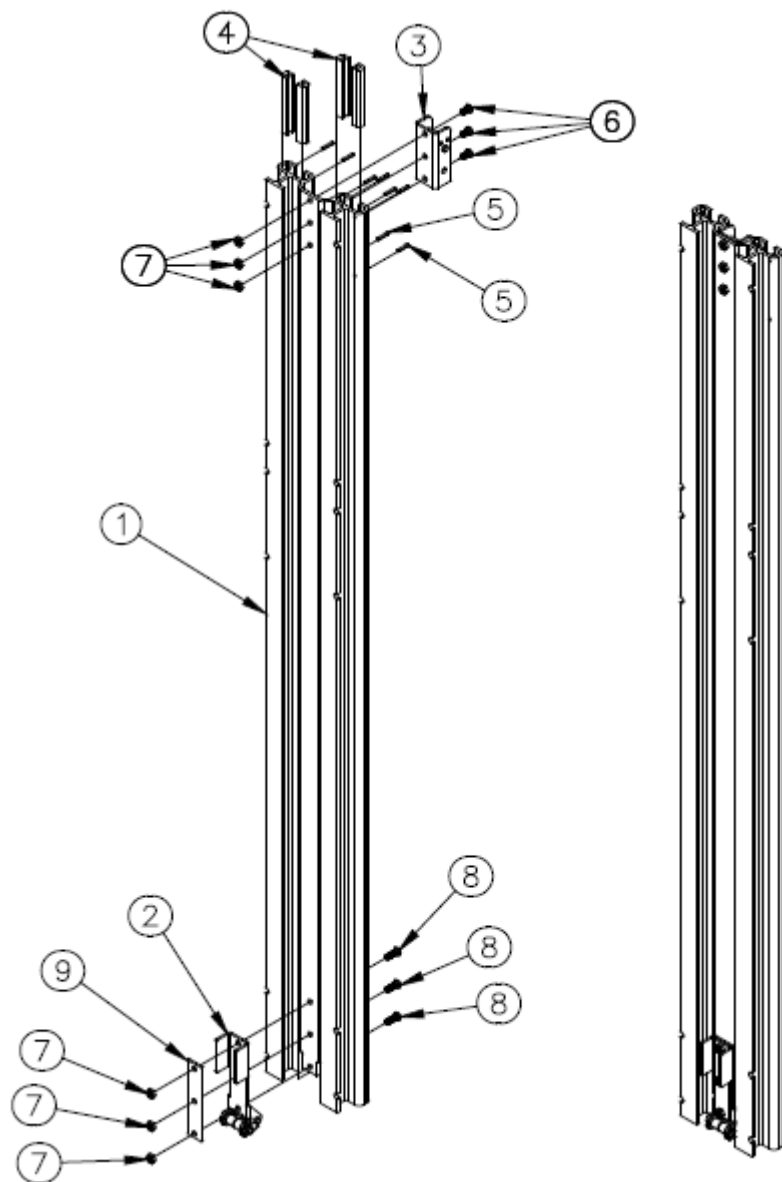


7	774116	8	1/8 ϕ x 3/8 ROLL PIN
6	784201	4	SLIDE
5	7762507	6	1/4-20 INSERT JAM LOCK NUT
4	771045	6	BHCS 1/4-20 x 1/2
3	784261	1	UPPER ROLLER ASSEMBLY
2	784263	1	TOP MAST LOWER ROLLER ASSEMBLY
1	*	1	TOP MAST *
Item	Part No.	Qty	Description
Parts List			

* SEE APPLICATION CHART

APPLICATION CHART				
ITEM	MODEL S160	MODEL S200	MODEL S270	MODEL S335
1	N/A	784223	784225	784227

COMPOSITION DU MÂT BAS

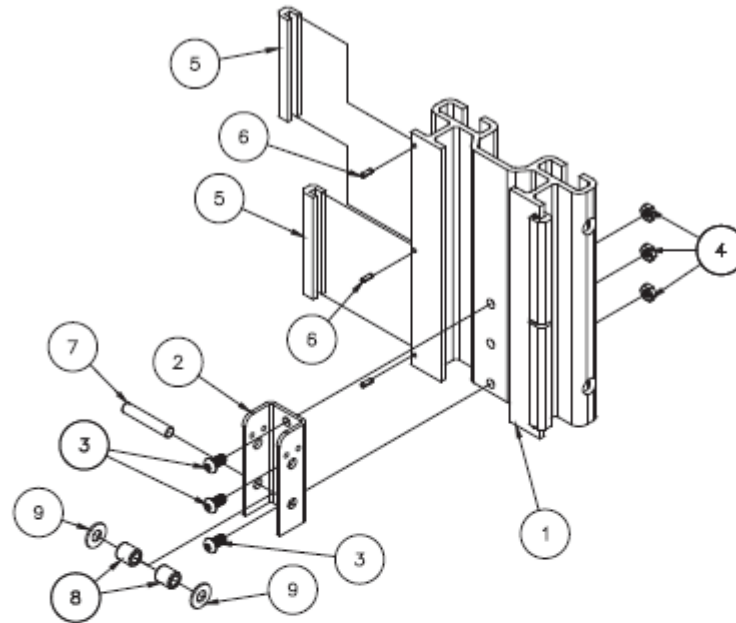


9	784274	1	BOTTOM ROLLER BRACKET SUPPORT
8	771046	3	BHCS 1/4-20 x 3/4
7	772507	6	1/4-20 INSERT JAM LOCK NUT
6	771045	3	BHCS 1/4-20 x 1/2
5	774115	8	1/8 ϕ x 3/4 ROLL PIN
4	784201	4	SLIDE
3	784261	1	UPPER ROLLER ASSEMBLY
2	784262	1	BOTTOM MAST LOWER ROLLER ASSY.
1	*	1	BOTTOM MAST *
Item	Part No.	Qty	Description
Parts List			

*SEE APPLICATION CHART

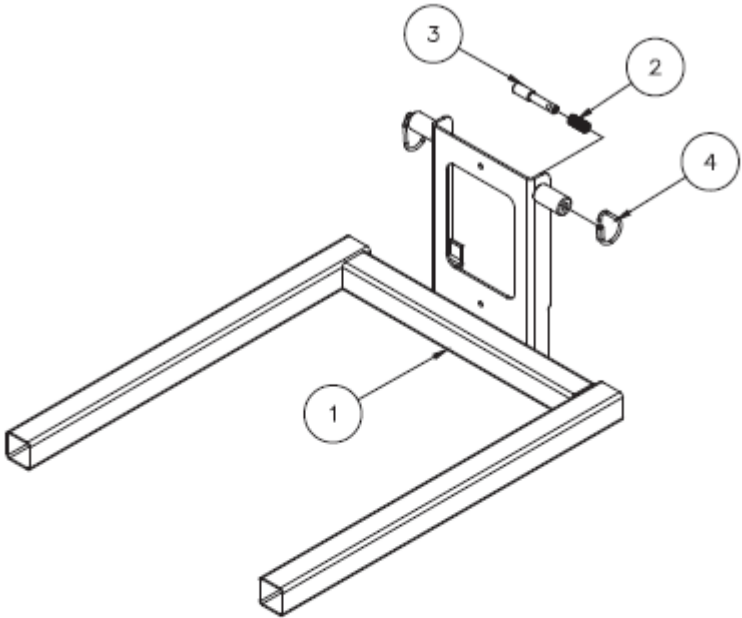
APPLICATION CHART				
ITEM	MODEL S160	MODEL S200	MODEL S270	MODEL S335
1	784224	784222	784224	784226

784277 - CHARIOT



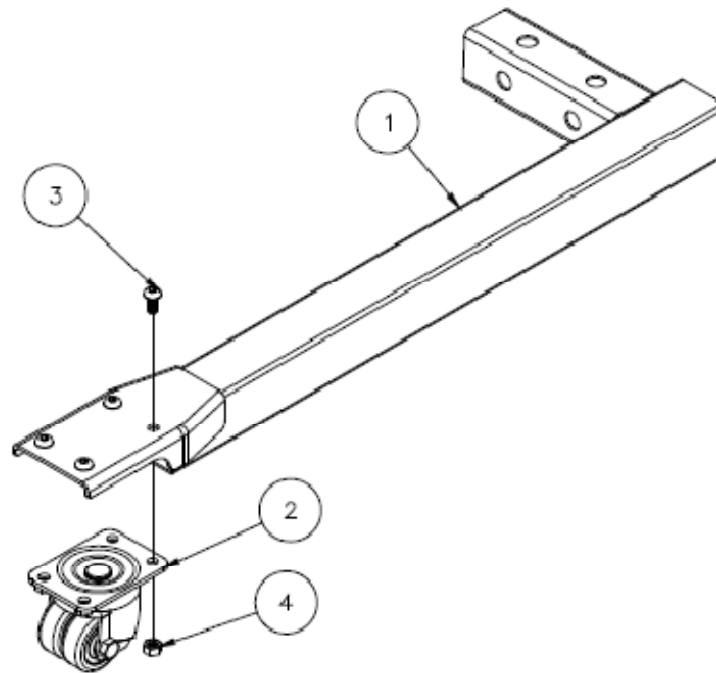
9	773015	2	5/16 BRASS WASHER
8	775065	2	ROLLER BEARING
7	774117	1	5/16 x 1-3/4 DOWEL PIN
6	774116	6	1/8 ϕ 3/8 ROLL PIN
5	784201	4	SLIDE
4	772507	3	1/4-20 INSERT JAM LOCK NUT
3	771045	3	BHCS 1/4-20 x 1/2
2	784207	1	UPPER ROLLER BRACKET
1	784231	1	CARRIAGE
Item	Part No.	Qty	Description
Parts List			

784250 – FOURCHE STANDARD



4	779317	2	RAPID LINK PEAR SHAPED 1/8
3	783896	2	HIGH STRENGTH PLUNGER
2	776212	2	SPRING
1	784245	1	FORK WELDMENT
Item	Part No.	Qty	Description
Parts List			

JAMBE DE MAINTIEN

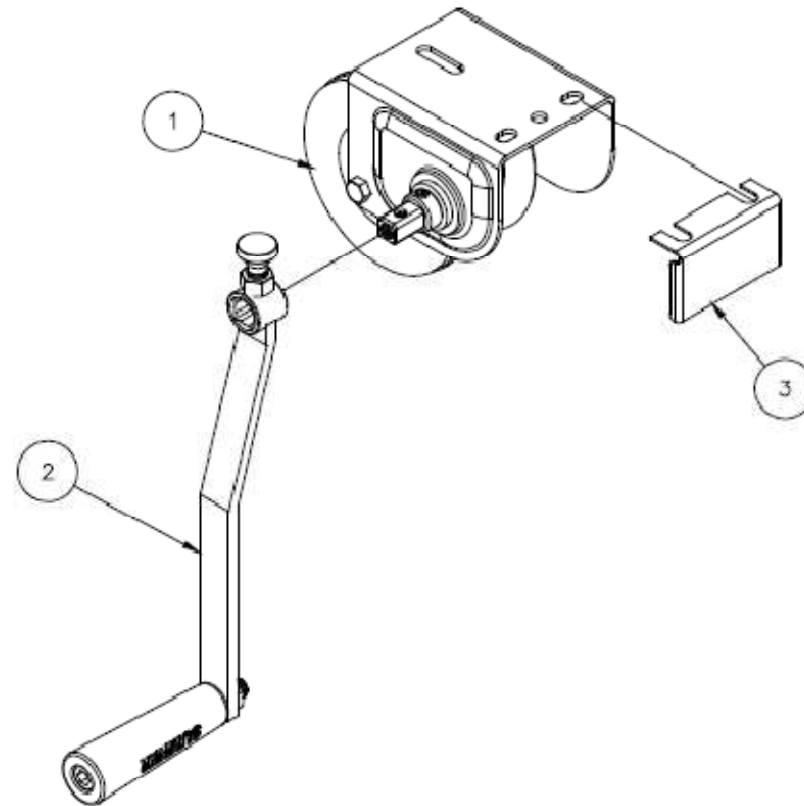


4	772351	4	5/16-18 INSERT LOCK NUT
3	771049	4	BHCS 5/16-18 x 5/8
2	779030	1	2" SWIVEL CASTER
1	*	1	LEG WELDMENT *
Item	Part No.	Qty	Description
Parts List			

*SEE APPLICATION CHART

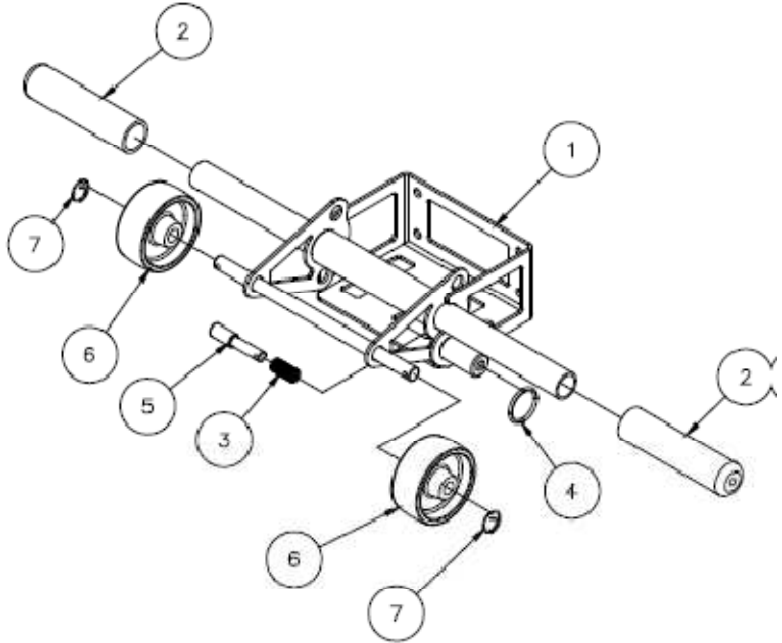
APPLICATION CHART		
ITEM	RIGHT LEG WELDMENT	LEFT LEG WELDMENT
1	784254	784253

784290 - TREUIL



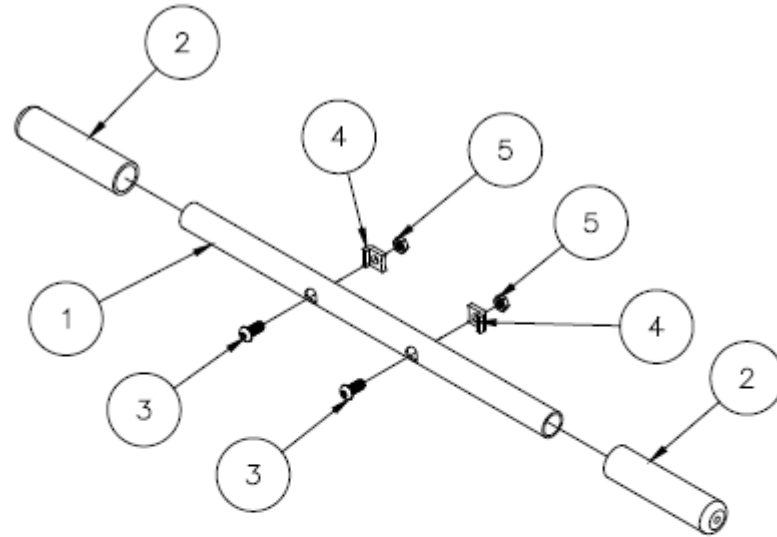
3	776145	1	WINCH COVER
2	784299	1	WINCH HANDLE ASSEMBLY
1	779950	1	WINCH ASSEMBLY
Item	Part No.	Qty	Description
Parts List			

784291 – TREUIL SUITE



7	774053	2	,750Ø RING COTTER
6	779012	2	3" WHEEL
5	782510	1	PLUNGER
4	775110	1	SPLIT RING 1-1/4Ø
3	776212	1	SPRING
2	779527	2	HAND GRIP
1	784292	1	WINCH MOUNT BOX WELDMENT
Item	Part No.	Qty	Description
Parts List			

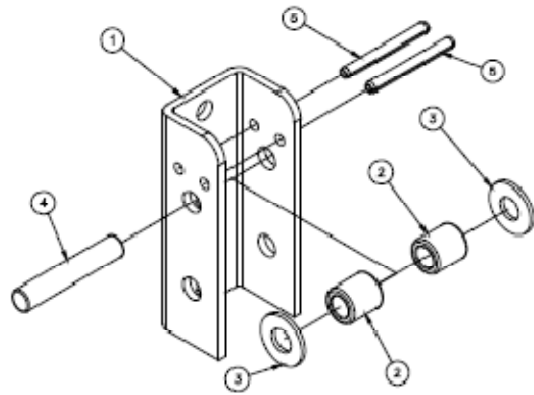
784282 – POIGNEE



5	772502	2	5/16-18 INSERT LOCK NUT
4	772930	2	CLAMP
3	771239	2	BHCS 5/16-18 x 3/4
2	779527	2	HAND GRIP
1	784280	1	TOP HANDLE
Item	Part No.	Qty	Description
Parts List			

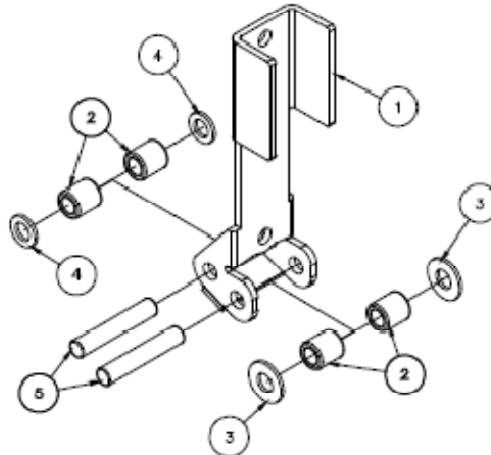
ENROULER

784261 UPPER ROLLER ASSEMBLY



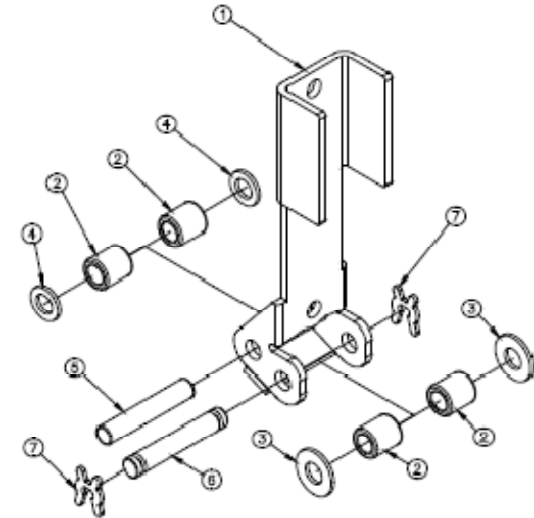
5	774118	2	.156ø x 1-1/2 LG ROLL PIN
4	774117	1	5/16ø x 1-3/4LG DOWEL PIN
3	773015	2	5/16 BRASS WASHER
2	775065	2	BEARING
1	7842207	1	TOP ROLLER BRACKET
Item	Part No.	Qty	Description
Parts List			

784263 LOWER ROLLER ASSEMBLY (TOP MAST)



5	774117	2	5/16 DOWEL PIN
4	773016	2	5/16 WASHER TYPE B NARROW
3	773015	2	5/16 BRASS WASHER
2	775065	4	NEEDLE BEARING
1	784237	1	LOWER ROLLER BRACKET WELDMENT
Item	Part No.	Qty	Description
Parts List			

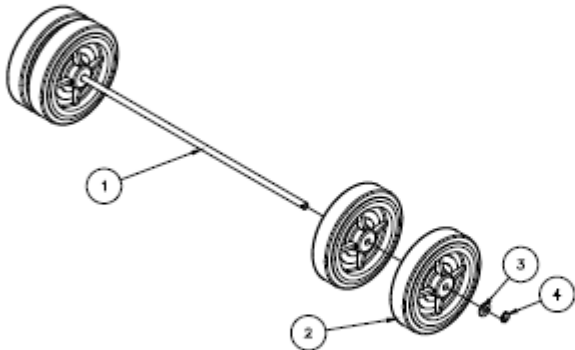
784262 LOWER ROLLER ASSEMBLY (BOTTOM MAST)



7	776084	2	RETAINER CLIP
6	784273	1	5/16 PIN (GROOVED)
5	774117	1	5/16 DOWEL PIN
4	773016	2	5/16 WASHER TYPE B NARROW
3	773015	2	5/16 BRASS WASHER
2	775065	4	NEEDLE BEARING
1	784237	1	LOWER ROLLER BRACKET WELDMENT
Item	Part No.	Qty	Description
Parts List			

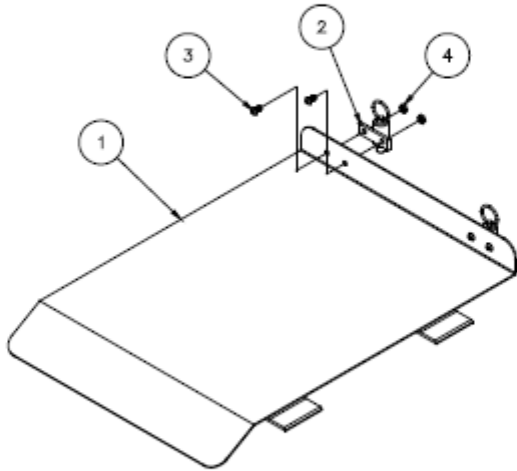
OPTION

784258 DUAL WHEEL KIT



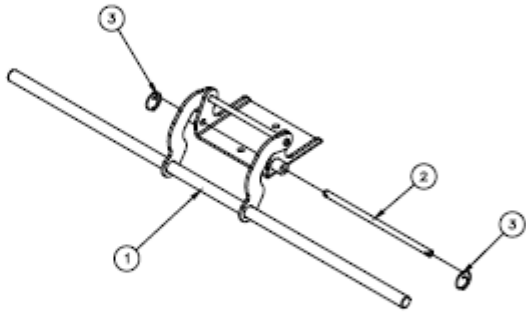
4	774053	2	.75Ø RING COTTER
3	773094	2	1/2" FLAT WASHER
2	779031	2	8" GRAY WHEEL
1	784233	1	DUAL AXLE
Item	Part No.	Qty	Description
Parts List			

784240 ALUMINUM TRAY



4	772507	4	1/4-20 INSERT JAM LOCK NUT
3	771045	4	BHCS 1/4-20 x 1/2
2	784302	2	TRAY PLUNGER ASSEMBLY
1	784239	1	FORK TRAY WELDMENT
Item	Part No.	Qty	Description
Parts List			

784218 BRAKE KIT



3	774053	2	.75Ø RING COTTER
2	784216	1	BRAKE MOUNT PIN
1	784219	1	BRAKE WELDMENT
Item	Part No.	Qty	Description
Parts List			